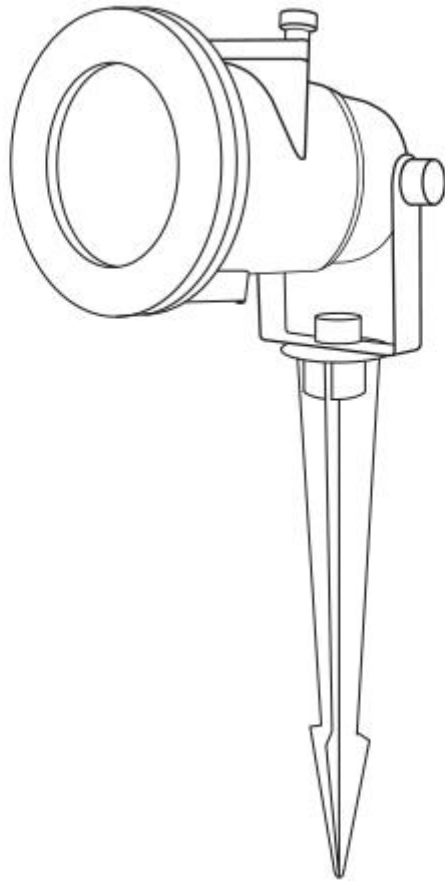


Celebration Series Projection Light Instructions



**ONLY USE SUPPLIED
TRANSFORMER**

IMPORTANT SAFEGUARDS

To reduce the risk of fire, electric shock, or injury when using any electric appliance precautions should be made. These precautions include but are not limited to:

Read all instructions

CAUTION! - Use only as directed.

This product has a polarized plug to reduce the risk of electric shock. It will therefore only fit into a polarized outlet one way. If the plug does not fit, reverse the plug. If it still does not fit, contact a qualified electrician. Do not use with an extension cord unless the plug can be fully inserted. Do not alter the plug.

DO NOT attempt to open the protective housing or operate the device if the aperture windows are damaged. If the unit requires service that involves removing the protective housing, contact the manufacturer. Opening the protective housing voids the warranty.

Use only three-wire outdoor extension cords that have three-prong grounding plugs, plugged into grounded outlets. Acceptable extension cord types:

SW, SW-A, SOW, SOW-A, STW, STW-A, STOW, STOW-A, SJW, SJW-A, SJOW

SJOW-A, SJTW, SJTW-A, SJTOW, SJTOW-A

Ground Fault Circuit Interrupter (GFCI) protection is to be provided on the circuit(s) or outlet(s) to be used while operating portable projection light in a wet location. Receptacles with built-in GFCI protection are available for this purpose.

SAVE THESE INSTRUCTIONS

Before You Begin

Carefully unpack package contents to make sure all parts are presented. Some assembly is required. **Note:**

For your convenience, one slide is inside of the projector .

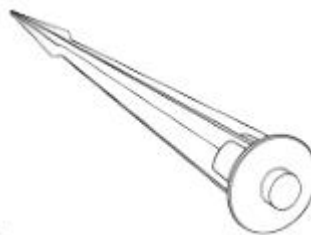


Slide



Power Supply

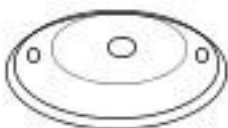
Transformer



Ground Stake



Light Projector



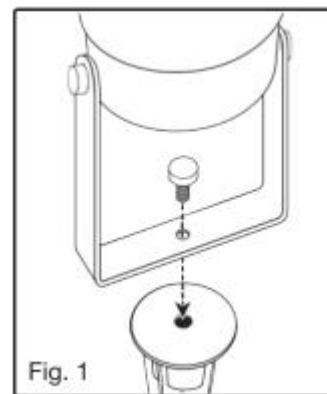
Mounting Plate



Fixed screw

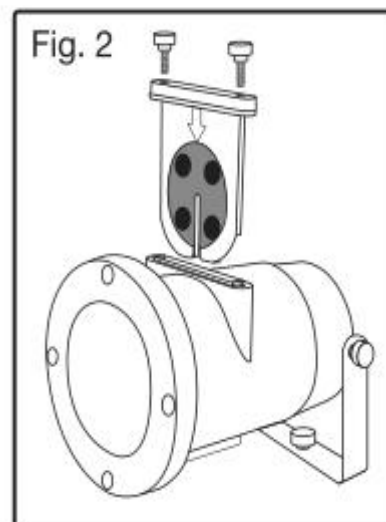
Assemble

1. To attach ground stake, remove the screw from the stake.
2. Use the screw to attach the stake to the pivot mount (see fig. 1).
3. Plug the 2-prong adapter into the outlet on the power supply transformer. Screw on the weather-resistant cap tightly to help protect the connection from weather.

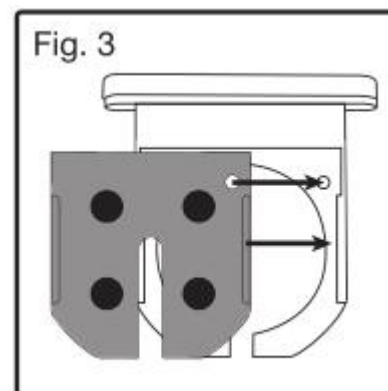


Installing Slides

1. Unscrew and remove the two screws holding the slide frame in the projection light casing. Remove the slide frame (see fig. 2). One slide is already put in the slide frame. In order to install a different slide, remove the preloaded slide by pushing it out of the frame while being careful to avoid touching the slide images. The slide should easily pop out.



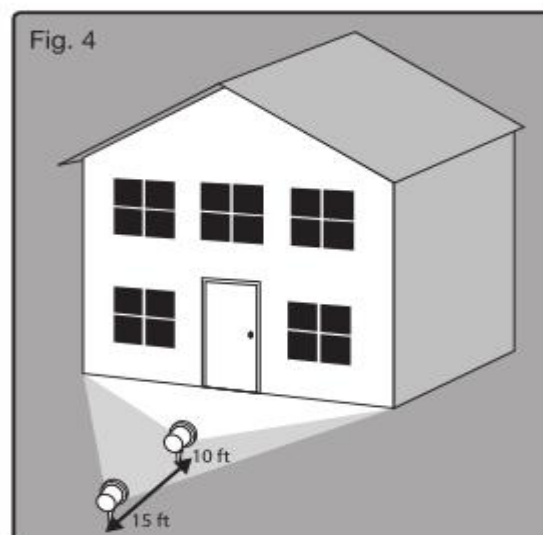
2. Load the new slide into the slide frame. To do this, firstly orient the slide so that the hole on the slide lines up with the nub on the frame. Next, insert the edge of the slide into the track on the frame (see fig. 3). If oriented correctly, the nub on the frame will fit into the hole on the slide. Finally, snap the opposite edge of the slide into the other track. Be careful to avoid touching the slide images.



3. Reinsert the slide frame into the projection light casing, being careful to orient the slide frame correctly with the arrow on the frame facing the front of the projection light (see fig. 2). Replace the screws. **Note: If you notice that the images seem to be moving backward after you turn the projection light on, you may have installed the slide frame backward. If this is the case, remove the frame, turn it around and reinstall it.**

Placing the Projection Light

- ' The projection light can be staked into the ground. With the stake removed, it can also be mounted to a structure using a sturdy hanging clamp and safe cable.
- ' Place light approximately 10 to 15 feet from the projection surface (see fig. 4). After the light is turned down you may need to adjust the distance to get the best results.



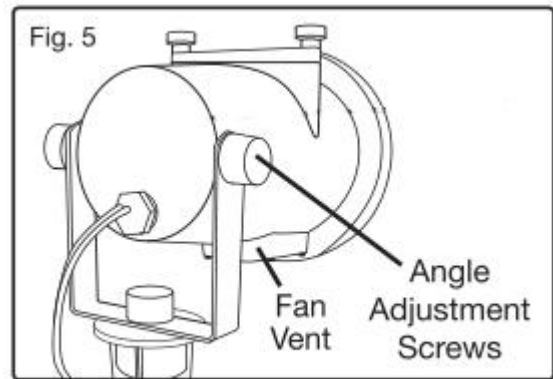
Note: If you insert a different slide, you may need to adjust distance for clarity.

' Position the angle of projection by loosening and tightening the angle adjustment screw (see fig. 5).

' The projection light must be positioned so that the fan vent is on the bottom (see fig. 5). Also, be sure that the fan vent is no danger of being blocked. If the air vent is blocked, the unit and slide are in danger of being damaged.

' Only use supplied transformer connected to a properly grounded outdoor outlet.

. Do not use with dimmers.



****For the service life of the product, the proposed work for six hours, rest for half an hour after the use of.**

Product Specifications

Power Consumption	6 W
Power Input	100-240V AC 50/60HZ 500mA (when used with supplied transformer)
Operation	Indoor/Outdoor
Maintenance	Maintenance free - no user serviceable parts